

## DLM SERIES

### PORT & MARINA FIRE CABINETS

It is designed by Fetaş to be suitable for outdoor use and corrosion-resistant in humid and salty environmental conditions. It is also used inside buildings, in places requiring hygiene, or in architecture where aesthetics is important.

#### STANDARD INSIDE EQUIPMENT

- Waterways made of brass, water-fed fire reel from the core.
  - Water inlet with 1" brass safety valve.
  - 1" jet-spray-off nozzle, UL and FM compliant.
  - 1" or 3/4" diameters, 15m or 20m hose capacity.
  - Semi-rigid fire hose in EN 694 standards.
- Max. working pressure: 12 bar  
 Test pressure: 24 bar  
 Min. burst pressure: 42 bar.
- With impact-resistant, tempered smoked glass.
  - Warning labels are silk-screened on glass, long-lasting, tear-proof - do not fade.
  - The doors are attached to the frame with two chrome-nickel (stainless) steel hinges and can be opened 180°.
  - The door lock is chrome-nickel (stainless) steel and is recessed.
  - TESTED before packing.



DLM.208-E model



DLM.208-E model  
BACK VIEW



DLM.208-E model  
FRONT VIEW



DLM.208 model  
BACK VIEW



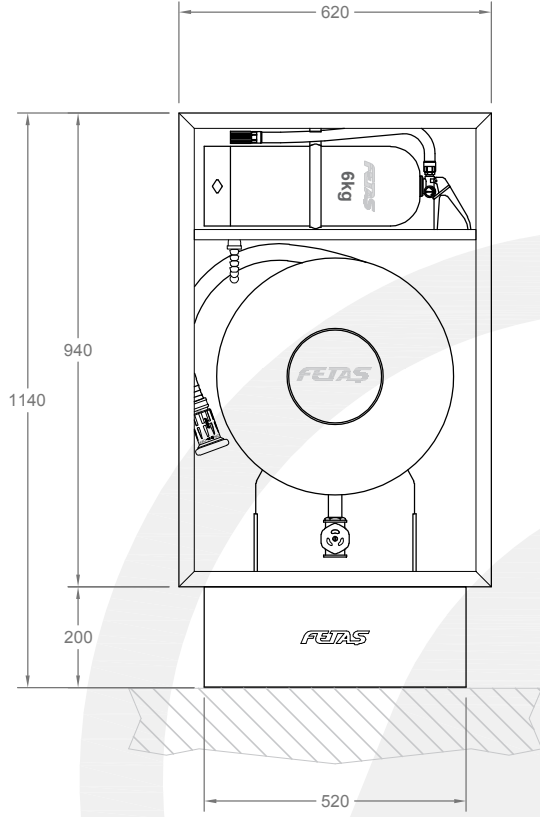
DLM.208 model  
FRONT VIEW

#### USAGE AREAS

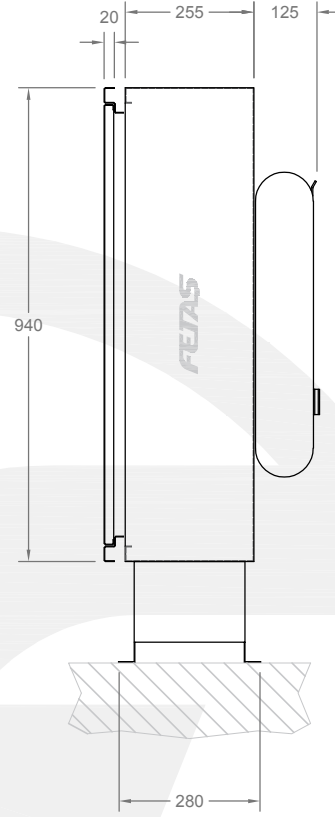
Marinas, ports, shoreline businesses, hotels, shopping malls, etc.

MODEL	HOSE CAPACITY		DIMENSIONS W x L x D (mm)
	1"	3/4"	
DLM.208	15m	20m	620 x 920 x 300
DLM.208-E	15m	20m	620 x 1140 x 270

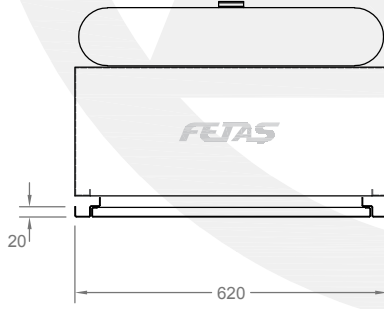
# DLM 208-E



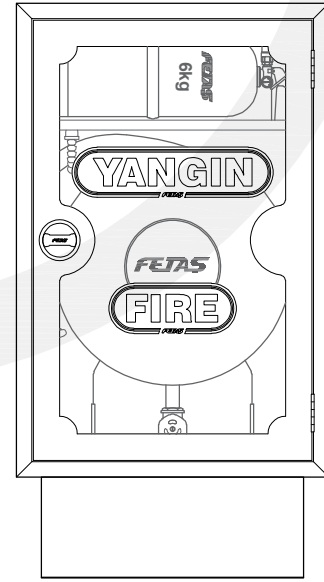
ÖN GÖRÜNÜŞ  
FRONT VIEW



YAN GÖRÜNÜŞ  
SIDE VIEW



ÜST GÖRÜNÜŞ  
TOP VIEW



CAM KAPAKLI ÖN GÖRÜNÜŞ  
FRONT VIEW WITH GLASS DOOR

KAPASİTE / CAPACITY : 1" 15m Hortum + 6 kg KKT Yangın Tüpü / 1" 15m Hose + 6 kg DRY Fire Extinguisher

ÇİZEN / DRW. BY	Yasin DEMİR	YÜZEY FINISH	—	ÖLÇEK / SCALE		TR EN		
KONT. / CONT. BY	Emre YİĞİTTEKİN	MALZEME MATERIAL	—	1 : 15				
ONAY / APP. BY	Cihan TUNA	AĞIRLIK WEIGHT	—	1 / 1	mm	cm	inch	
TARİH / DATE	03.09.2025	SAYFA PAGE	1 / 1	A4				
ÇİZİM KODU DRAWING CODE	DLM 208-E							

**FETAŞ**  
Yangın Ekipmanları  
Makina Metal Sanayi ve Ticaret A.Ş.

Dağyaka Mah. 2035. Cad. Küme Evi  
No: 51. Kahramankazan 06980 Ankara - TÜRKİYE  
Tel: +90. 444 96 69 info@fetas.com www.fetas.com

-Tüm hakları saklıdır. Bu belge, FETAŞ'tan yazılı izin alınmaksızın hiçbir şekilde üçüncü şahıslara çoğaltılamaz veya iletilemez. Ürünlerimizi geliştirmeye yönelik sürekli araştırma ve geliştirme çalışmaları yürütülmekte olup, bu nedenle önceden bildirimde bulunmaksızın herhangi bir teknik özelliği değiştirme hakkımız saklıdır.  
-All rights reserved. Reproduction or issue to third parties in any form whatever is not permitted without written authority from FETAŞ. Continuous research and development is taking place to improve our products and therefore we reserve the right to change any specification without prior notice.