

USA SERIES

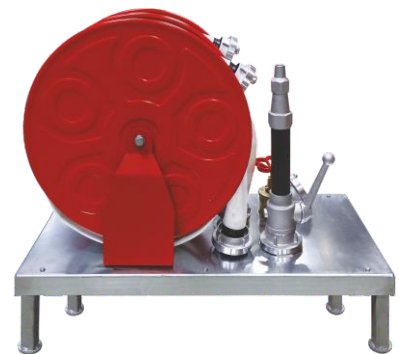
Fetaş USA series fire hydrant cabinets are suitable for outdoor usage and designed for professional fire fighting. It is a product group that preferably be used by emergency response teams who have fire trained. It is equipped with features that can withstand outdoor weather conditions in the places where it is used. Fetaş USA series, which provides easy access in emergency situations and offers a different aesthetic visual, is designed for high prestige projects.

GENERAL FEATURES

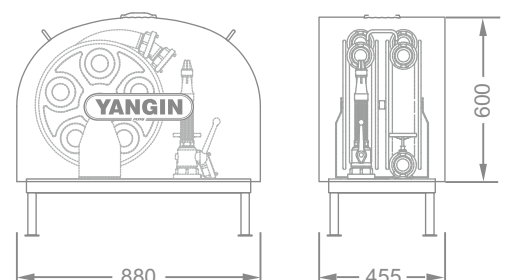
The USA series is designed as the wet type that operates independently of the fire hydrants with its valve and hose inside. It is used with heat insulation in places where freezing is a risk or it can be used without the heat insulation in places where there is no freezing risk.

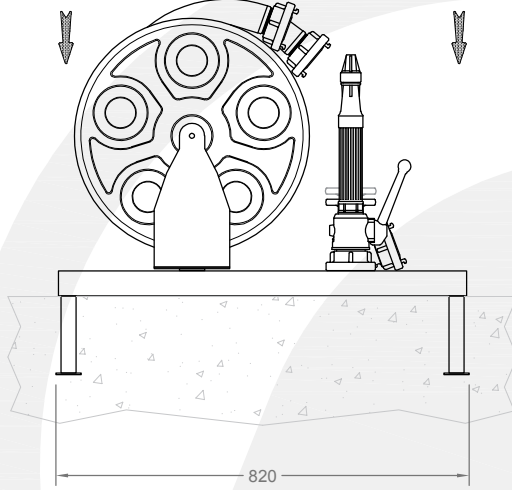
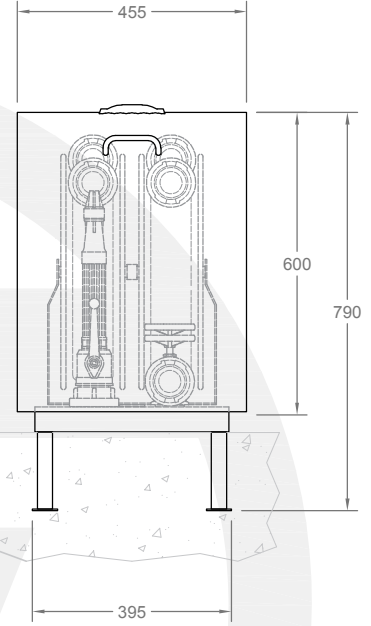
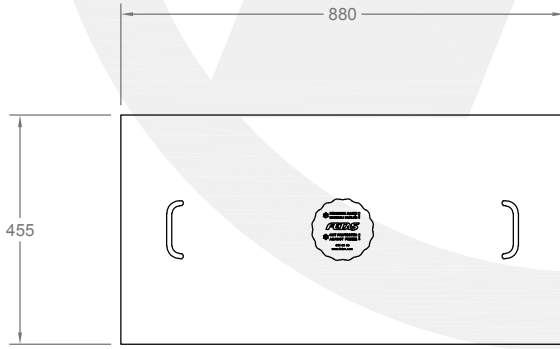
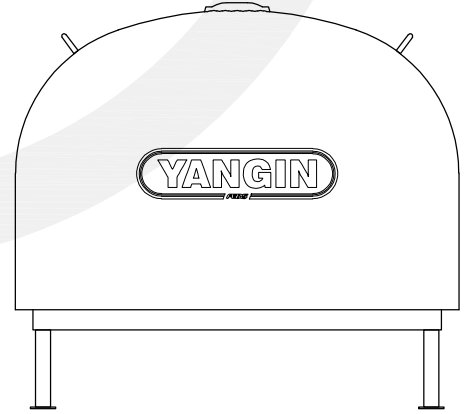
DETAILED FEATURES

- The floor fixing plate is made of DKP steel with double twisted edges on the box profile legs, there are steel washers under the feet and all are produced as the galvanized coating.
- The outer cover has a round shape, **iron phosphate** coating on galvanized steel material, and the last layer is RAL 3002 red **polyester** powder paint, resistant to impacts, external weather conditions and **UV rays**.
- The two handles on the cover are made of stainless steel and have an ergonomic design.
- **Screen printing** warning texts on the outer cover, resistant to outdoor conditions and **UV rays**, provide long-lasting use.
- The reel system, which is mounted on the table with the reel fixing part, is capable of carrying hoses of various specifications, and it is **iron phosphate** coating on DKP steel material and the last layer is RAL 3002 red **polyester** powder paint.
- Flat fire hose conforming to EN 14540 standard, with 2" or 2½" aluminium tail storz couplings at both ends.
- Jet-spray-off **position-controlled** 2" or 2½" aluminium branch pipe with storz coupling.
- **Brass** fire valve and aluminium storz connection.
- **Aluminium wire wrap**, plastic tubing covered connection points.



MODEL	HOSE CAPACITY		FIRE VALVE	WATER BRANCH PIPE	DIMENSIONS W x L x D(mm)
	DN52	DN65			
USA - 380	2 x 20m		DN52	DN52	880 x 600 x 455
	2 x 30m				
USA - 480		2 x 20m	DN65	DN65	
		2 x 30m			



USA - 380**2" 30m****ÖN GÖRÜNÜŞ**
FRONT VIEW**YAN GÖRÜNÜŞ**
SIDE VIEW**ÜST GÖRÜNÜŞ**
TOP VIEW**KAPAKLI ÖN GÖRÜNÜŞ**
FRONT VIEW WITH DOOR**KAPASİTE / CAPACITY : 2 x 2" 30m Hortum / 2 x 2" 30m Hose**

ÇİZEN / DRW. BY	Yasin DEMİR	YÜZEY FINISH	—	ÖLÇEK / SCALE		TR		
KONT. / CONT. BY	Emre YİĞİTTEKİN	MALZEME MATERIAL	—	1 : 15				
ONAY / APP. BY	Cihan TUNA	AĞIRLIK WEIGHT	—		BİRİM / UNIT	EN	Fetaş Yangın Ekipmanları Makina Metal Sanayi ve Ticaret A.Ş. Dağyaka Mah. 2035. Cad. Küme Evleri No: 51. Kahramankazan 06980 Ankara - TÜRKİYE Tel: +90. 444 96 69 info@fetas.com www.fetas.com	
TARİH / DATE	09.10.2025	SAYFA PAGE	1 / 1	A4	mm cm inch			
ÇİZİM KODU DRAWING CODE	USA - 380 - 2" 30m							

-Tüm hakları saklıdır. Bu belge, FETAŞ'tan yazılı izin alınmaksızın hiçbir şekilde üçüncü şahıslara çoğaltılamaz veya iletilemez. Ürünlerimizi geliştirmeye yönelik sürekli araştırma ve geliştirme çalışmaları yürütülmekte olup, bu nedenle önceden bildirimde bulunmaksızın herhangi bir teknik özelliği değiştirme hakkımız saklıdır.
-All rights reserved. Reproduction or issue to third parties in any form whatever is not permitted without written authority from FETAŞ. Continuous research and development is taking place to improve our products and therefore we reserve the right to change any specification without prior notice.