

FS 122 NCK MODEL

SURFACE, NOSTALGIC FIRE CABINET WITH GLASS DOOR

Fetaş FS 122 NCK model fire cabinets are designed for general purpose fire fighting, It is a product group that preferably be used by emergency response teams who have fire trained.

They are designed to provide aesthetic harmony as well as easy access in case of emergency with door types that can fully adapt to the place where they are used, and can be preferred recessed or surface-mounted.



RAL 3002 - Glass door



RAL 9010 - Glass door



RAL 9005 - Glass door

GENERAL FEATURES

Fire hose cabinets with double door and 20m Lay-Flat hose capacity, with extinguisher. Demountable fire cabinets suitable for indoor use, in EN 671-2 standard, CE approved.

SURFACE TYPE CABINET CASE

- **Iron phosphate** coating on DKP steel material and topcoat **polyester** powder paint coating.
- There are water inlet points on the corners of the case that allow plumbing connections in different directions.
- Thanks to its **double bent** edges, it is resistant to reel load and impacts.
- It is possible to mount the reel and cover to the right or left.
- It is **compatible with all** Universal / Nostalgic / Glass model door types.
- It provides **fast** and easy assembly with its **demountable** feature.
- It is **long-lasting** with **ventilation and drainage** holes.
- There are **wall mounting holes** in the surface-mounted cabinets.
- **Press-reinforced** reel mounting plate made of 2mm DKP sheet.
- Standard colors are RAL 3002 red, RAL 9010 white, RAL 9005 black. It can also be produced in a different color in the desired RAL code or as Matt (Satined) / Glossy (Polished) stainless chrome.
- There is a double-bent partition.

INSIDE EQUIPMENT

- Manufactured in accordance with EN 671-2 standard.
- The basket system is designed to be strong enough to carry the hose inside and manufactured using galvanized rivets and bolts at the joints.
- Flat hose basket that can swing 90°.
- Hose basket with iron **phosphate** coating on DKP steel material and RAL 3002 **polyester powder** paint.
- 2" or 2½" – PN16 **brass** fire valve and 2" or 2½" Storz coupling in Aluminium.
- Flat fire hose conforming to EN 14540 standard, with 2" or 2½" aluminum tail storz couplings at both ends.
- Jet-spray-off **position-controlled** 2" or 2½" aluminum branch pipe with storz coupling.
- Screen printing **pictographic instructions** for use and product information on the hose basket.
- **Aluminum wire wrap**, plastic tubing covered connection points.
- Dry Chemical Powder fire extinguisher with 6 kg dust capacity in accordance with TS 862 EN 3-8, TSE and CE certified.

MODEL	DN	HOSE	EXT.	CASA TYPE	DOOR TYPE	DIMENSIONS W x L x D (mm)
FS 122 NCK-1	52	20m	6kg	Surface	Glass	870 x 670 x 200
FS 122 NCK-2	65	20m	6kg	Surface	Glass	870 x 670 x 230

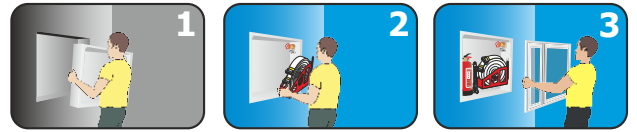
NOSTALGIC GLASS DOOR

- It can be produced with glass.
- **Iron phosphate** coating on DKP steel material and final coat **polyester** powder paint coating.
- Thanks to its **double bent** edges and internal reinforcement elements, its rigid structure does not deteriorate and it has a long life.
- **Stainless chrome** backflap hinges are used.
- The **recessed** design, **stainless** chrome handle with lock bolt mechanism, and round shape provide safe and long-lasting use.
- Laser cutting on glass covers are preserved, thus providing a **classic design**.
- The **four-bent outer frame** provides a rigid structure to close installation faults.
- **Serigraphy** warning letters on glass doors provide long-lasting use.
- 4mm **tempered**, creaking-resistant glass is used in the glass models.
- The door which can be opened **180°**, can be mounted to open to the right as well as to the left if desired.
- Thanks to its **demountable** feature, it can be easily assembled after the construction process is completed.
- Standard RAL 3002 red, RAL 9010 white, RAL 9005 black. It can be produced in a different color in the desired RAL code or as Matt (Satin) / Glossy (Polished) stainless chrome.

OPTIONAL: Pressure reducing valve version or different types of standards please ask to your Fetaş contact for get more information.



DEMOUNTABLE



1. Mount your fire hose cabinet case and make water connection while your building is still under construction.

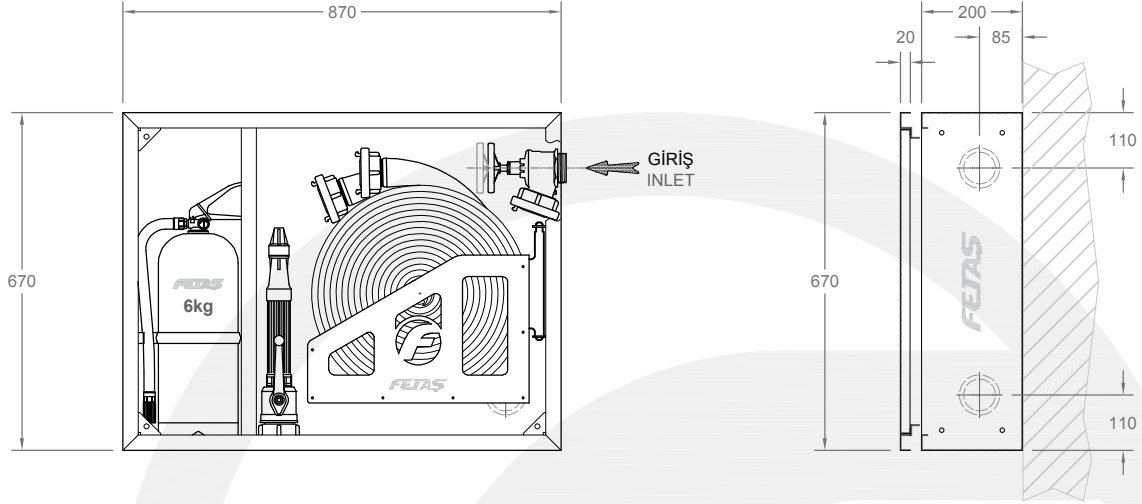
2. When your building is ready for opening (floor covers, wall paintings are finished) mount inside equipments.

3. At last, mount your demountable door.

When mounted as described above, Fetaş fire hose cabinets will be protected at maximum level, from the damages they could get during construction.

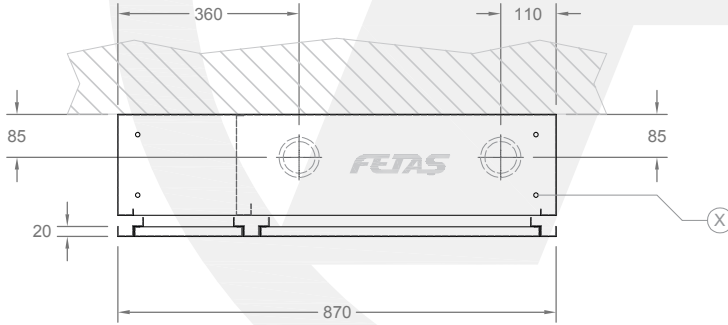
PACKAGING: Our fire hose cabinets are styrofoam supported, cardboard packed.

FS 122 NCK-1

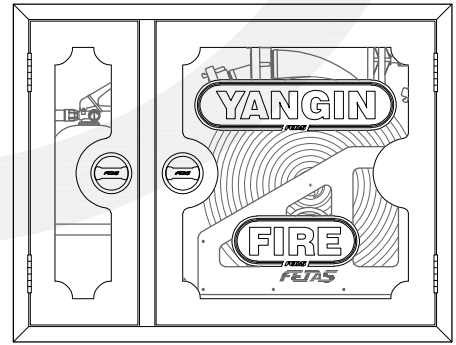


ÖN GÖRÜNÜŞ
FRONT VIEW

YAN GÖRÜNÜŞ
SIDE VIEW



ÜST GÖRÜNÜŞ
TOP VIEW



CAM KAPAKLI ÖN GÖRÜNÜŞ
FRONT VIEW WITH GLASS DOOR

KAPASİTE / CAPACITY : 2" 20m Hortum + 6 kg KKT Yangın Tüpü / 2" 20m Hose + 6 kg DRY Fire Extinguisher

X : Ø9 mm çapındaki delikler havalandırma, montaj, su tahliyesi ve boya işlemleri için kullanılmaktadır.

X : Ø9 mm holes on the cabinet are used for ventilation, assembly, water drainage and painting process.

ÇİZEN / DRW. BY	Yasin DEMİR	YÜZEY FINISH	—	ÖLÇEK / SCALE	1 : 15	TR EN		
KONT. / CONT. BY	Emre YİĞİTTEKİN	MALZEME MATERIAL	—	BİRİM / UNIT	mm cm inch			
ONAY / APP. BY	Cihan TUNA	AĞIRLIK WEIGHT	—					
TARİH / DATE	03.09.2025	SAYFA PAGE	1 / 1	A4				
ÇİZİM KODU DRAWING CODE	FS 122 NCK-1							Fetaş Yangın Ekipmanları Makina Metal Sanayi ve Ticaret A.Ş. Dağyaka Mah. 2035. Cad. Küme Evleri No: 51. Kahramankazan 06980 Ankara - TÜRKİYE Tel: +90. 444 96 69 info@fetas.com www.fetas.com

-Tüm hakları saklıdır. Bu belge, FETAŞ'tan yazılı izin alınmaksızın hiçbir şekilde üçüncü şahıslara çoğaltılamaz veya iletilemez. Ürünlerimizi geliştirmeye yönelik sürekli araştırma ve geliştirme çalışmaları yürütülmekte olup, bu nedenle önceden bildirimde bulunmaksızın herhangi bir teknik özelliği değiştirme hakkımız saklıdır.

-All rights reserved. Reproduction or issue to third parties in any form whatever is not permitted without written authority from FETAŞ. Continuous research and development is taking place to improve our products and therefore we reserve the right to change any specification without prior notice.