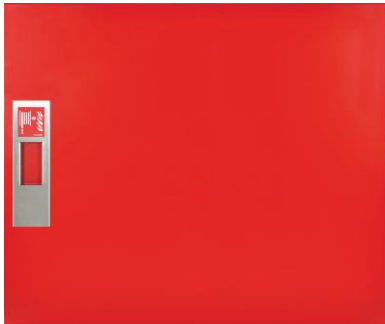


F 113 MR USK MODEL

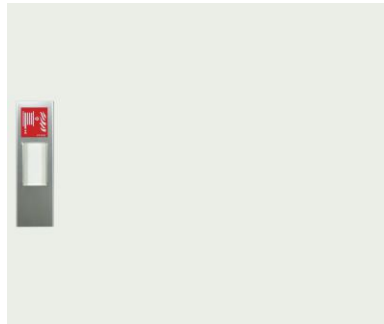
RECESSED, UNIVERSAL FIRE CABINET WITH STEEL DOOR

Fetaş F 113 MR USK model fire cabinets are suitable for inside use and a product group designed for general purpose fire fighting, which can be easily used by everyone.

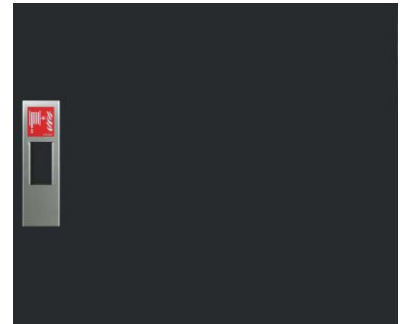
They are designed to provide aesthetic harmony as well as easy access in emergency situations with door types that can fully adapt to the place where they are used, and safes that can be preferred as recessed or surface mounted.



RAL 3002 - Steel door



RAL 9010 - Steel door



RAL 9005 - Steel door

GENERAL FEATURES

Fire cabinets with single door, with extinguisher, 30m semi-rigid hose. Demountable fire cabinets suitable for indoor use, in EN 671-1 standard, CE approved.

RECESSED TYPE CABINET CASE

- **Iron phosphate** coating on DKP steel material and topcoat **polyester** powder paint coating.
- There are water inlet points on the corners of the case that allow plumbing connections in different directions.
- Thanks to its **double bent** edges, it is resistant to reel load and impacts.
- It is possible to mount the reel and cover to the right or left.
- It is **compatible with all** Universal / Nostalgic / Glass model door types.
- It provides **fast** and easy assembly with its **demountable** feature.
- It is **long-lasting** with **ventilation and drainage** holes.
- **Press-reinforced** reel mounting plate made of 2mm DKP sheet.
- Standard colors are RAL 3002 red, RAL 9010 white, RAL 9005 black. It can also be produced in a different color in the desired RAL code or as Matt (Satined) / Glossy (Polished) stainless chrome.

INSIDE EQUIPMENT

- The reel system is manufactured in accordance with EN 671-1 standard
- Semi-rigid hose reel with central water supply, 270° swing.
- All waterways are made of **brass** and corrosion-resistant **composite** materials.
- Reel wheels with RAL 3002 red, **polyester** powder coating.
- DN 52 – PN16 **brass** fire valve and DN 52 storz coupling in Aluminium
- DN 52 – DN25 Aluminium tail storz adapter.
- Reel hub in **brass** material with **4 o-ring seals and bearings**.
- Semi-rigid fire hose in accordance with EN 694 standard.
- **Reinforced** semi-rigid interconnection hose in accordance with EN 694.
- DN 25 jet-spray-off nozzle
- RAL 9005 black, **polyester** powder coated reel arm, with silk printed **pictographic** instructions for use.
- **Galvanized** ring press, plastic **tubing covered** connection points.
- Reel system that has passed **100%** leak seal and quality tests.
- Dry Chemical Powder fire extinguisher with 6 kg dust capacity in accordance with TS 862 EN 3-8, TSE and CE certified.

MODEL	HOSE		EXT.	CASA TYPE	DOOR TYPE	DIMENSIONS W x L x D (mm)
	DN19	DN25				
F 113 MR USK	30m	30m	6kg	Recessed	Steel	900 x 750 x 200

UNIVERSAL STEEL DOOR

- Thanks to its **frameless** special design, it provides an aesthetic vision of where it is used.
- It can be produced complete Steel sheet.
- **Iron phosphate** coating on DKP steel material and final coat **polyester** powder paint coating.
- Thanks to its **double bent** edges and internal **reinforcement elements**, its rigid structure does not deteriorate and it has a long life.
- The simple design is supported by **concealed stainless chrome** hinges.
- The **recessed** design, **stainless chrome** pull-and-open door handle provides ease of use with the **serigraphy** warning sign on it.
- Long-lasting easy use with **magnetic lock** mechanism.
- The door which can be opened 180°, can be mounted to open to the right as well as to the left if desired.
- Thanks to its **demountable feature**, it can be easily assembled after the construction process is completed.
- Standard RAL 3002 red, RAL 9010 white, RAL 9005 black. It can be produced in a different color in the desired RAL code or as Matt (Satined) / Glossy (Polished) stainless chrome.
- For recessed cabinets, the dimensions of the door are designed 10 mm (each side) **larger** than the sides of the case to cover installation faults.

DEMOUNTABLE



1. Mount your fire hose cabinet case and make water connection while your building is still under construction.

2. When your building is ready for opening (floor covers, wall paintings are finished) mount inside equipments.

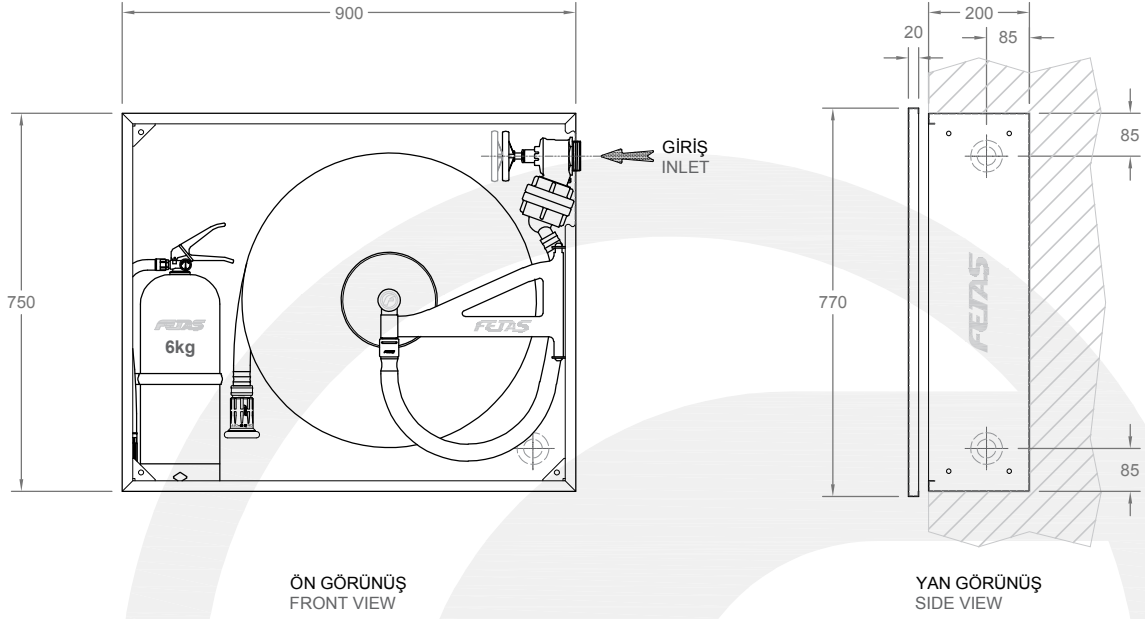
3. At last, mount your demountable door.

When mounted as described above, Fetaş fire hose cabinets will be protected at maximum level, from the damages they could get during construction.

PACKAGING: Our fire hose cabinets are styrofoam supported, cardboard packed.

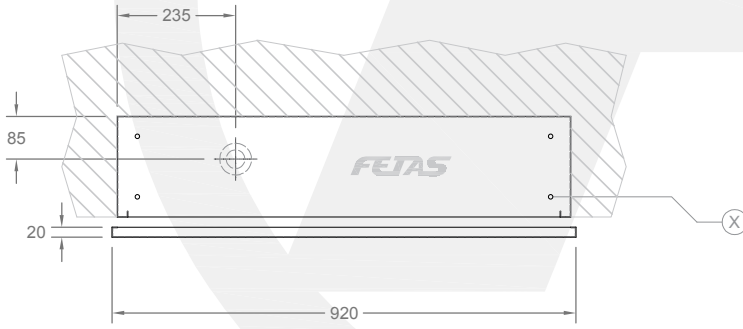
OPTIONAL: About ball valve version or pressure reducing valve version, please ask to your Fetaş contact for more information.

F 113 MR USK

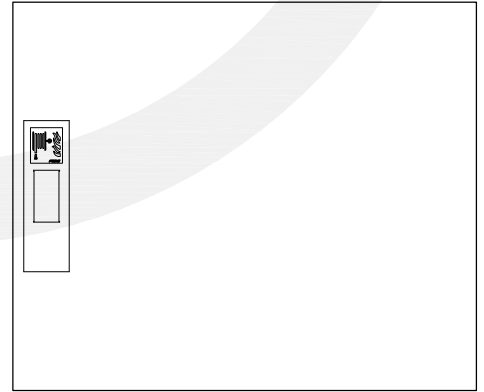


ÖN GÖRÜNÜŞ
FRONT VIEW

YAN GÖRÜNÜŞ
SIDE VIEW



ÜST GÖRÜNÜŞ
TOP VIEW



SAC KAPAKLI ÖN GÖRÜNÜŞ
FRONT VIEW WITH STEEL DOOR

KAPASİTE / CAPACITY : 1" 30m Hortum + 6 kg KKT Yangın Tüpü / 1" 30m Hose + 6 kg DRY Fire Extinguisher

X : Ø9 mm çapındaki delikler havalandırma, montaj, su tahliyesi ve boya işlemleri için kullanılmaktadır.

X : Ø9 mm holes on the cabinet are used for ventilation, assembly, water drainage and painting process.

ÇİZEN / DRW. BY	Yasin DEMİR	YÜZEY FINISH	—	ÖLÇEK / SCALE		TR EN		
KONT. / CONT. BY	Emre YİĞİTTEKİN	MALZEME MATERIAL	—	1 : 15	BİRİM / UNIT			
ONAY / APP. BY	Cihan TUNA	AĞIRLIK WEIGHT	—	1 / 1	mm	cm		inch
TARİH / DATE	03.09.2025	SAYFA PAGE	1 / 1	A4				
ÇİZİM KODU DRAWING CODE	F 113 MR USK							Fetaş Yangın Ekipmanları Makina Metal Sanayi ve Ticaret A.Ş. Dağyaka Mah. 2035. Cad. Küme Evleri No: 51. Kahramankazan 06980 Ankara - TÜRKİYE Tel: +90. 444 96 69 info@fetas.com www.fetas.com

-Tüm hakları saklıdır. Bu belge, FETAŞ'tan yazılı izin alınmaksızın hiçbir şekilde üçüncü şahıslara çoğaltılamaz veya iletilemez. Ürünlerimizi geliştirmeye yönelik sürekli araştırma ve geliştirme çalışmaları yürütülmekte olup, bu nedenle önceden bildirimde bulunmaksızın herhangi bir teknik özelliği değiştirme hakkımız saklıdır.
-All rights reserved. Reproduction or issue to third parties in any form whatever is not permitted without written authority from FETAŞ. Continuous research and development is taking place to improve our products and therefore we reserve the right to change any specification without prior notice.