

## DPR 124 MODEL

Fetaş DPR 124 model fire cabinets are providing independent use from walls by mounting on the floor. It is a product group designed for general purpose fire fighting and can be easily used by everyone.

They are designed to create awareness in the projects, with the architectural aesthetics that adds prestige to the place they are used and the plumbing connection coming from the ground.

### GENERAL FEATURES

Fire cabinets with double doors and extinguishers, 30m semi-rigid hose. Demountable fire cabinets suitable for indoor use, in EN 671-1 standard, CE approved.

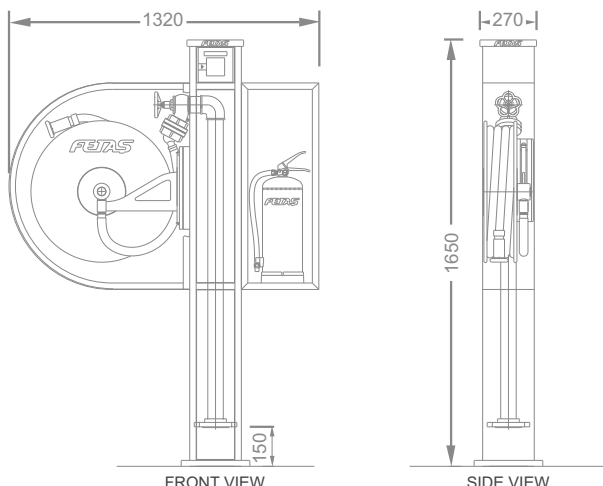
### COLUMN CABINET

- **Iron phosphate** coating on DKP steel material and topcoat **polyester** powder paint coating.
- Thanks to its front and back doors, It provides double-sided access. Totaly there are four doors.
- Transparent **plexy** covers, following the **D-shaped** reel compartment, offer long-lasting easy use with their magnetic lock mechanism.
- In order to keep the simplicity of the design, the doors are desinged **without handles**, instead, quick and easy access is provided with the help of the holes on the doors.
- It has 4 doors that can be opened 180 degrees.
- Ground connection flange and the flange cover are available.
- There are 6 installation access covers with the disassembly feature at the front and reaf of the column.
- There is a cap with the disassembly feature on the column.
- It provides **fast** and easy assembly with its **demountable** feature.
- It is **long-lasting** with ventilation and drainage holes.
- **Press-reinforced** reel mounting plate made of 2mm DKP sheet.
- Standar colors are RAL 3002 red, RAL 9010 white, RAL 9005 black. It can also be produced in a different color in the desired RAL code or as Matt (Satined) / Glossy (Polished) stainless chrome.

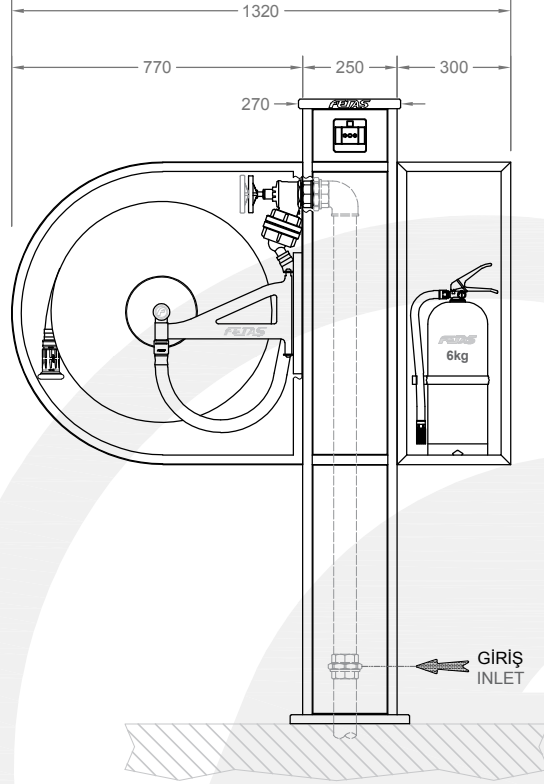
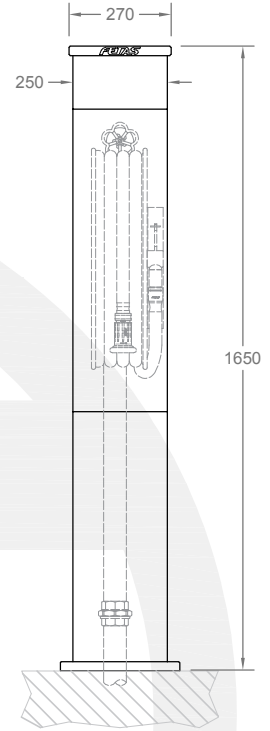
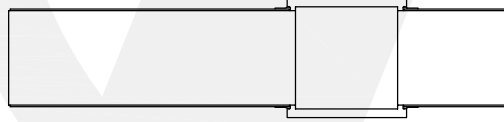
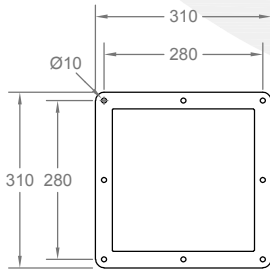
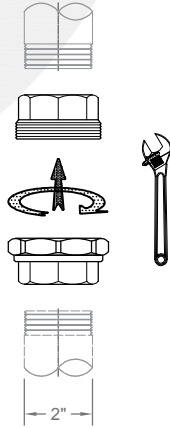


### INSIDE EQUIPMENT

- The reel system is manufactured in accordance with EN 671-1 standard.
- Semi-rigid hose reel with central water supply, 270° swing.
- All waterways are made of **brass** and corrosion-resistant **composite** materials.
- Reel wheels with RAL 3002 red, **polyester** powder coating.
- DN 52 – PN 16 **brass** fire valve and DN 52 storz coupling in Aluminium.
- DN 52 – DN 25 Aluminium tail storz adapter.
- Reel hub in **brass** material with **4 o-ring seals and bearings**.
- Semi-rigid fire hose in accordance with EN 694 standard.
- **Reinforced** semi-rigid interconnection hose in accordance with EN 694.
- DN 25 jet-spray-off nozzle.
- RAL 9005 black, **polyester** powder coated reel arm, with silk printed **pictographic** instruction for use.
- **Galvanized** ring press, plastic **tubic covered** connection points.
- Reel system that has passed **100%** leak seal and quality tests.
- Dry Chemical Powder fire extinguisher with 6 kg dust capacity in accordance with TS 862 EN 3-8, TSE and CE certified.
- Manual **alarm button** conforming to EN 54-11, TSE and CE certified.
- The galvanized **conical union** offered for the connection of the valve simplifies the assembly process.



MODEL	HOSE CAPACITY		EXTINGUISHER	DIMENSIONS W x L x D (mm)
	DN19	DN25		
DPR.124	40m	30m	6kg	1320 x 1650 x 270

ÖN GÖRÜNÜŞ  
FRONT VIEWYAN GÖRÜNÜŞ  
SIDE VIEWÜST GÖRÜNÜŞ  
TOP VIEWZEMİN MONTAJ PLAKASI  
FLOOR MOUNTING PLATEZEMİN SU BAĞLANTISI  
FLOOR WATER CONNECTION

KAPASİTE / CAPACITY : 1" 30m Hortum + 6 kg KKT Yangın Tüpü / 1" 30m Hose + 6 kg DRY Fire Extinguisher

ÇİZEN / DRW. BY	Yasin DEMİR	YÜZEY FINISH	—	ÖLÇEK / SCALE		<b>TR</b> <b>EN</b>		
KONT. / CONT. BY	Emre YİĞİTTEKİN	MALZEME MATERIAL	—	1 : 20				
ONAY / APP. BY	Cihan TUNA	AĞIRLIK WEIGHT	—					
TARİH / DATE	03.09.2025	SAYFA PAGE	1 / 1	A4				
ÇİZİM KODU DRAWING CODE	DPR 124							<b>Fetaş Yangın Ekipmanları</b> <b>Makina Metal Sanayi ve Ticaret A.Ş.</b> Dağyaka Mah. 2035. Cad. Küme Eleri No: 51. Karaman 06980 Ankara - TÜRKİYE Tel: +90. 444 96 69 info@fetas.com www.fetas.com

-Tüm hakları saklıdır. Bu belge, FETAŞ'tan yazılı izin alınmaksızın hiçbir şekilde üçüncü şahıslara çoğaltılamaz veya iletilemez. Ürünlerimizi geliştirmeye yönelik sürekli araştırma ve geliştirme çalışmaları yürütülmekte olup, bu nedenle önceden bildirimde bulunmaksızın herhangi bir teknik özelliği değiştirme hakkımız saklıdır.

-All rights reserved. Reproduction or issue to third parties in any form whatever is not permitted without written authority from FETAŞ. Continuous research and development is taking place to improve our products and therefore we reserve the right to change any specification without prior notice.