

F 4193 M MODEL

SELF STANDING FIRE HOSE REELS

Fetaş F 4193 M model fire reels are a product group designed for general purpose fire fighting and can be easily used by everyone. It is suitable for applications independent of walls in buildings.

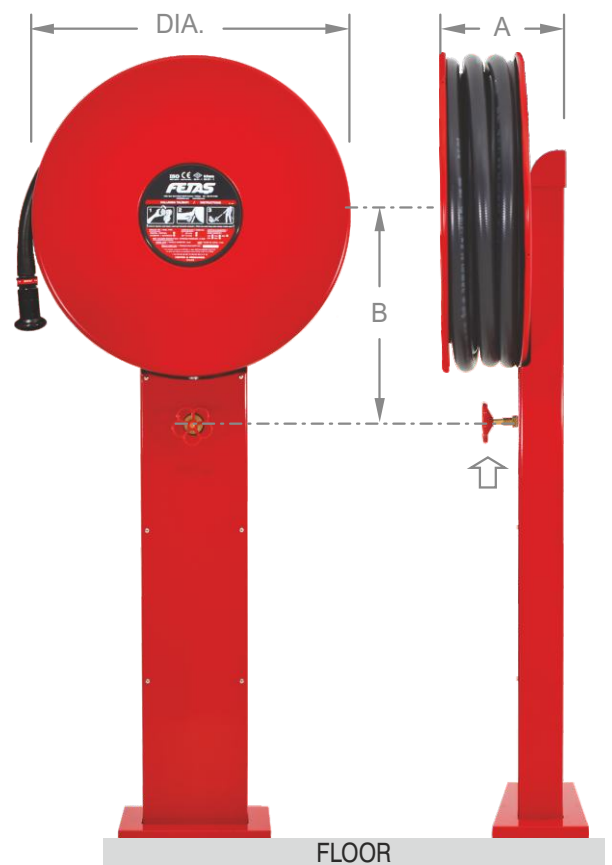
It is among the indispensable accessories of today's architects, as well as the functionality of the fire reel, which creates a visual effect in the places where it is used and provides easy access in case of emergency.

GENERAL FEATURES

Fixed type fire reels with 30m semi-rigid hose.
Demountable fire reels, suitable for indoor and outdoor use, in EN 671-1 standard, CE approved.

SELF STANDING HOSE REEL

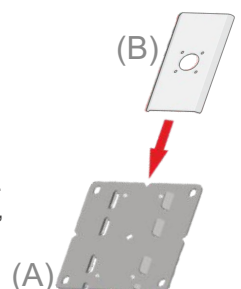
- The reel system is manufactured in accordance with EN 671-1 standard
 - It is a central water-feeding semi-rigid hose reel, **fixed to the floor.**
 - Thanks to the **double bent edges** of the fixed column part and internal **reinforcement** elements, its rigid structure does not deteriorate and it has a long life.
 - Installation and fittings are hidden thanks to the removable cover in the front of the column.
 - Ground connection flange and flange cover are available.
 - It provides quick and easy assembly thanks to its self-channeled, galvanized mounting plate and plug plate.
 - All waterways are made of **brass** and corrosion-resistant **composite** materials.
 - **Iron phosphate** coating on DKP steel material and topcoat **polyester** powder paint coating.
 - **The service cover**, which contains **serigraphy printing**, **pictographic usage** and product information, provides ease of maintenance.
 - DN 25 – PN 16 **brass** globe valve.
 - DN 19 **galvanized pipe** between reel hub and fire valve
 - Reel hub in **brass** material with **4 o-ring seals and bearings.**
 - Semi-rigid fire hose in accordance with EN 694 standard.
 - **Hose guide** that helps pull the hose in the desired direction (**Optional**).
 - DN 25 jet-spray-off nozzle
 - **Galvanized** ring press, plastic **tubing covered** connection points.
 - Standard colors are RAL3002 red, RAL 9010 white, RAL 9005 black.
- It can also be produced in a different color in the desired RAL code or as Matt (Satin) / Glossy (Polished) stainless chrome.
- Reel system that has passed **100%** leak seal and quality tests.

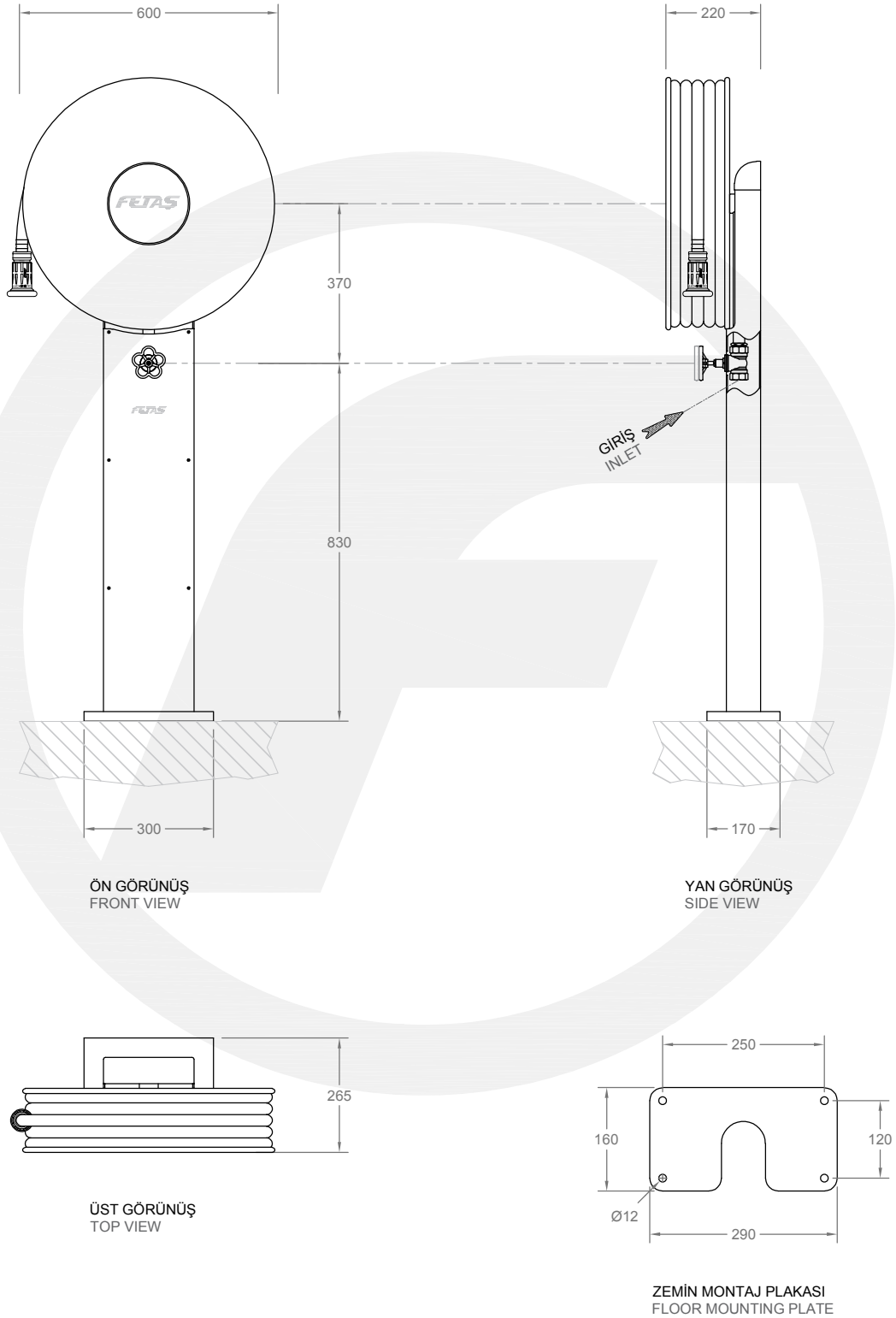


MODEL	HOSE CAPACITY	DIMENSIONS (mm)		
		DIA	A	B
F 4193 M	30m	Ø600	220	370

Practical design, easy installation

First, install (A) to the wall. (B) is placed behind the reel. To mount the reel to the wall, you need to slide piece (B) into (A) from above.





KAPASİTE / CAPACITY : ¾" 30m Hortum / ¾" 30m Hose

X : Ø9 mm çapındaki delikler havalandırma, montaj, su tahliyesi ve boya işlemleri için kullanılmaktadır.

X : Ø9 mm holes on the cabinet are used for ventilation, assembly, water drainage and painting process.

ÇİZEN / DRW. BY	Yasin DEMİR	YÜZEY FINISH	—	ÖLÇEK / SCALE		TR EN	<p>Fetaş Yangın Ekipmanları Makina Metal Sanayi ve Ticaret A.Ş. Dağyaka Mah. 2035. Cad. Küme Evleri No: 51. Kahramankazan 06980 Ankara - TÜRKİYE Tel: +90. 444 96 69 info@fetas.com www.fetas.com</p>	
KONT. / CONT. BY	Emre YİĞİTTEKİN	MALZEME MATERIAL	—	1 : 15				
ONAY / APP. BY	Cihan TUNA	AĞIRLIK WEIGHT	—	BİRİM / UNIT	mm	cm		inch
TARİH / DATE	03.09.2025	SAYFA PAGE	1 / 1	A4				
ÇİZİM KODU DRAWING CODE	F 4193 M							

-Tüm hakları saklıdır. Bu belge, FETAŞ'tan yazılı izin alınmaksızın hiçbir şekilde üçüncü şahıslara çoğaltılamaz veya iletilmez. Ürünlerimizi geliştirmeye yönelik sürekli araştırma ve geliştirme çalışmaları yürütülmekte olup, bu nedenle önceden bildirimde bulunmaksızın herhangi bir teknik özelliği değiştirme hakkımız saklıdır.

-All rights reserved. Reproduction or issue to third parties in any form whatever is not permitted without written authority from FETAŞ. Continuous research and development is taking place to improve our products and therefore we reserve the right to change any specification without prior notice.