

F 3332 M3 MODEL - TYPE 3

TUBE SLEEVE FIRE HOSE REELS

Fetaş F 3332 M3 model fire hose reels are a product group designed for the general purpose of against the fire and can be easily used by everyone. Suitable for shaft space and similar area applications in structures.

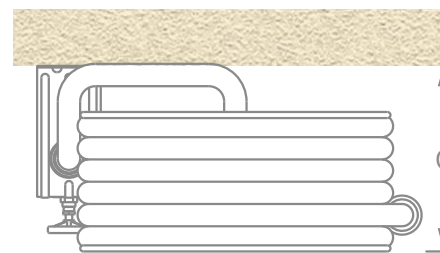
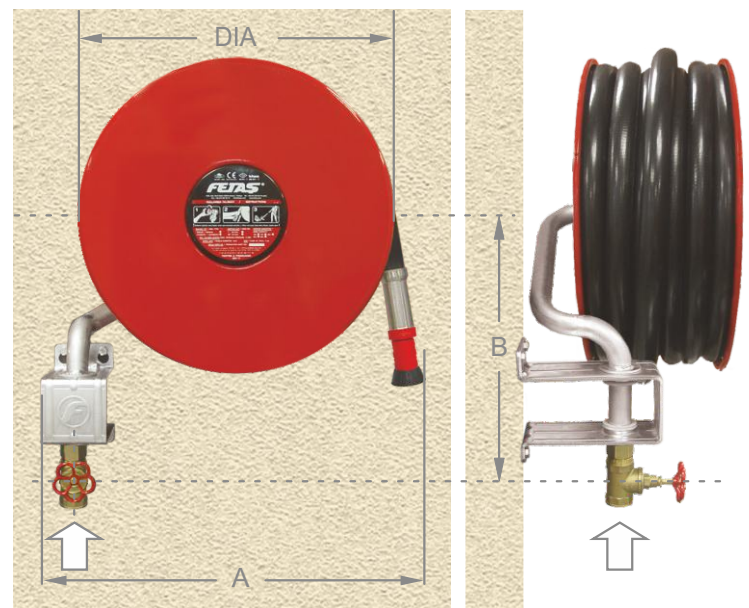
It is one of the indispensable accessories of modern architects, as well as the functionality of the fire hose reel, which creates a visual impact in the places where it is used and provides easy access in case of an emergency.

GENERAL FEATURES

Tube sleeve type, fire hose reel with 20m semi-rigid hose. Demountable fire hose reels suitable for indoor usage, EN 671-1 standard, CE approved.

HOSE REEL TYPE - 3

- The reel system is manufactured in accordance with EN 671-1 standard
- It is a semi-rigid hose reel with central water supply, 270° oscillating **tube sleeve type**.
- **Concealed type**, twisted galvanized pipe, reel arm working behind the hose reel.
- Reel wall mounting plate which is manufactured by 4mm DKP sheet that can be fixed to the wall, **reinforced** with the press, and **galvanized**.
- Specially designed **galvanized** reel body to prevent hose breakage.
- Reel wheels are **iron phosphate** coated on DKP steel material and the topcoat is RAL 3002 **polyester** powder paint.
- The screen-printed **service cover**, which contains usage instruction and product information, provides ease of maintenance.
- Brass stop valve DN 33 – PN 16.
- Brass material reel hub with **double o-ring seal** and bearing.
- Semi-rigid fire hose in accordance with EN 694 standard.
- DN 38 jet-spray-off nozzle and chrome hose port.
- **Galvanized** ring press, plastic **tubing covered** connection points.
- Standard colors are RAL3002 red, RAL 9010 white, RAL 9005 black. It can also be produced in a different color in the desired RAL code or as Matt (Satinated) / Glossy (Polished) stainless chrome.
- Reel system that has passed **100%** leak seal and quality tests.

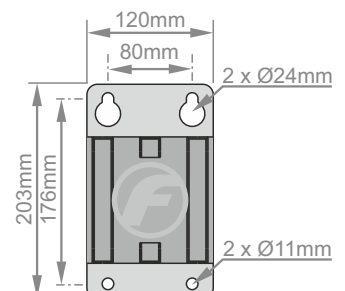
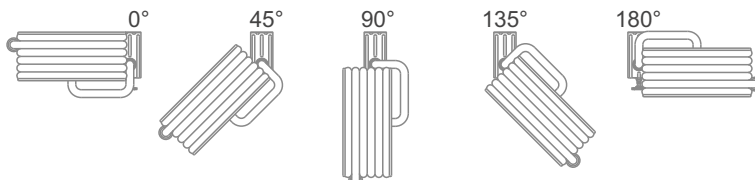


Specially Coated Wall Mounting Piece

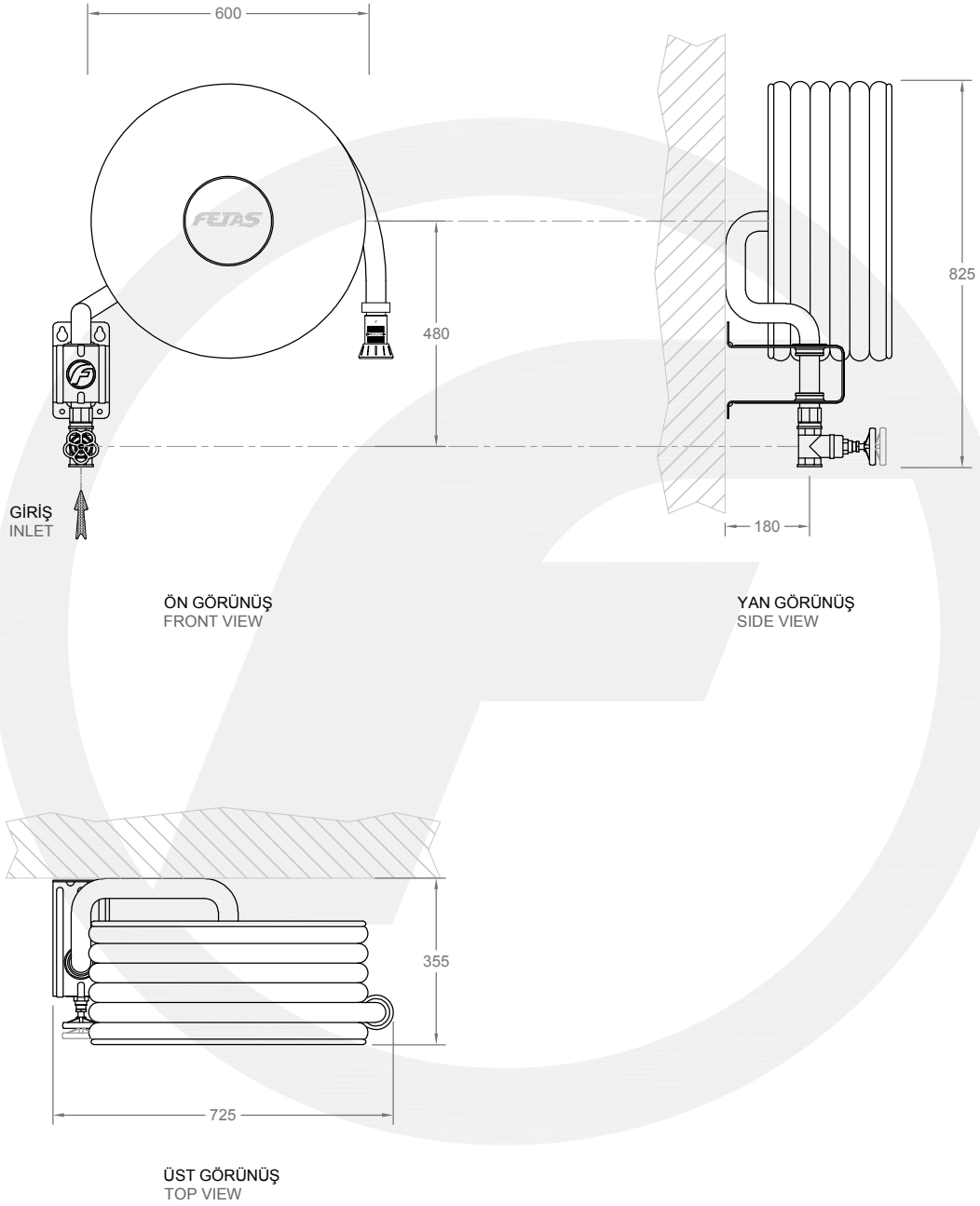


MODEL	HOSE CAPACITY	DIMENSIONS (mm)			
	DN33	DIA.	A	B	C
F 3332 M3	20m	Ø600	725	480	355

MOVEMENT OF THE 180° SWINGING REEL



* Continuous research and development is taking place to improve our products and therefore we reserve the right to change any specification without prior notice.



KAPASİTE / CAPACITY : 1¼" 20m Hortum / 1¼" 20m Hose

ÇİZEN / DRW. BY	Yasin DEMİR	YÜZEY FINISH	—	ÖLÇEK / SCALE		TR EN	<p>Fetaş Yangın Ekipmanları Makina Metal Sanayi ve Ticaret A.Ş. Dağyaka Mah. 2035. Cad. Küme Evleri No: 51. Kahramankazan 06980 Ankara - TÜRKİYE Tel: +90. 444 96 69 info@fetas.com www.fetas.com</p>	
KONT. / CONT.BY	Emre YİĞİTTEKİN	MALZEME MATERIAL	—	1 : 15				BİRİM / UNIT
ONAY / APP. BY	Cihan TUNA	AĞIRLIK WEIGHT	—	A4	mm	cm		inch
TARİH / DATE	03.09.2025	SAYFA PAGE	1 / 1					
ÇİZİM KODU DRAWING CODE	F 3332 M3							

-Tüm hakları saklıdır. Bu belge, FETAŞ'tan yazılı izin alınmaksızın hiçbir şekilde üçüncü şahıslara çoğaltılamaz veya iletilmez. Ürünlerimizi geliştirmeye yönelik sürekli araştırma ve geliştirme çalışmaları yürütülmekte olup, bu nedenle önceden bildirimde bulunmaksızın herhangi bir teknik özelliği değiştirme hakkımız saklıdır.

-All rights reserved. Reproduction or issue to third parties in any form whatever is not permitted without written authority from FETAŞ. Continuous research and development is taking place to improve our products and therefore we reserve the right to change any specification without prior notice.