

F 2192 M MODEL

FIXED FIRE HOSE REELS

Fetaş F 2192 M model fire hose reels are designed for general purposes against the fire and can be easily used by everyone. Suitable for column or wall applications inside the buildings.

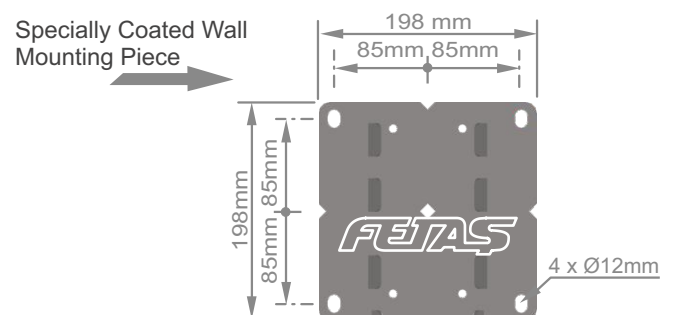
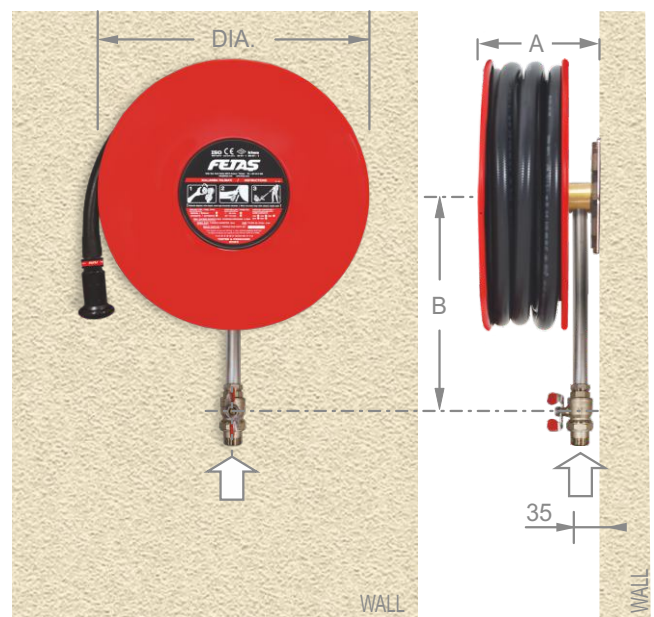
It is one of the indispensable accessories of modern architects and the functionality of the fire hose reel, which creates a visual impact in the places where it is used and provides easy access in case of an emergency.

GENERAL FEATURES

Fixed type fire hose reels with 20m semi-rigid hose capacity. Suitable for indoor or outside usage, in EN 671-1 standard and CE approved reels suit the dissemble.

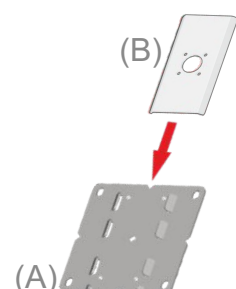
HOSE REEL

- The reel system is manufactured in accordance with EN 671-1 standard
- It is a semi-rigid hose reel with central water supply, **fixed to the wall.**
- It provides quick and easy assembly thanks to its self-grooved, galvanized wall mounting plate and plug plate.
- All waterways are made of **brass** and corrosion-resistant **composite** materials.
- **Iron phosphate** coating on DKP steel material and topcoat **polyester** powder paint coating.
- **The service cover**, which contains **serigraphy printing**, **pictographic usage** and product information, provides ease of maintenance.
- DN 25 - PN 16 **brass** ball valve.
- DN25 galvanized pipe between reel hub and fire valve.
- Reel hub in **brass** material with **4 o-ring seals and bearings.**
- Semi-rigid fire hose in accordance with EN 694 standard.
- **Hose guide** that helps pull the hose in the desired direction (**Optional**).
- DN 25 jet-spray-off nozzle.
- **Galvanized** ring press, plastic **tubing covered** connection points.
- Standard colors are RAL3002 red, RAL 9010 white, RAL 9005 black. It can also be produced in a different color in the desired RAL code or as Matt (Satined) / Glossy (Polished) stainless chrome.
- Reel system that has passed **100%** leak seal and quality tests.

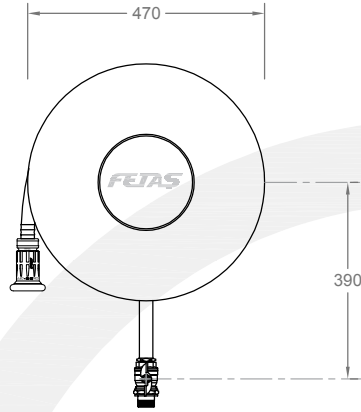
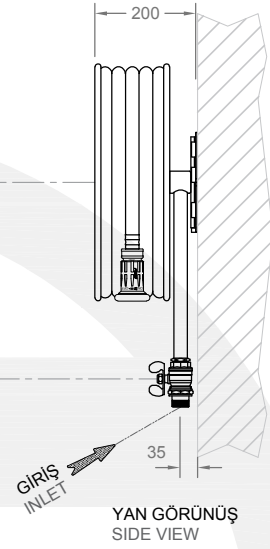
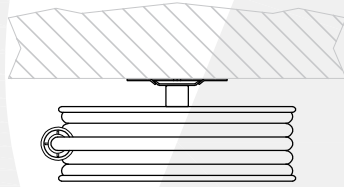
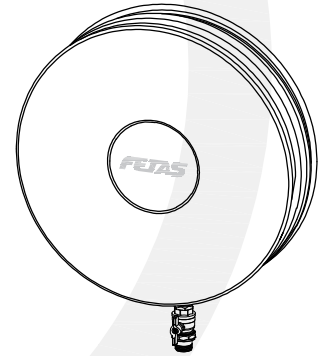
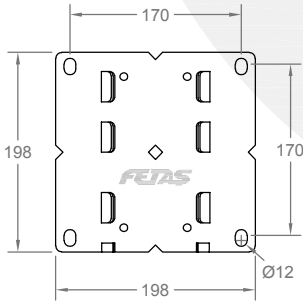
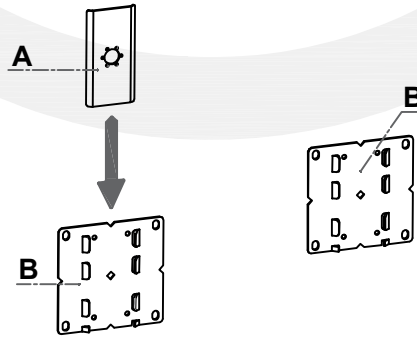
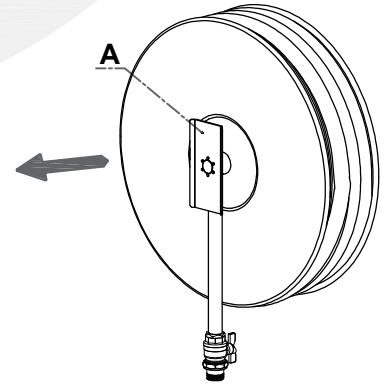


Practical design, easy installation


First, install (A) to the wall. (B) is placed behind the reel. To mount the reel to the wall, you need to slide piece (B) into (A) from above.



MODEL	HOSE CAPACITY	DIMENSIONS (mm)		
	DN19	DIA.	A	B
F 2192 M	20m	Ø470	200	390

ÖN GÖRÜNÜŞ
FRONT VIEWYAN GÖRÜNÜŞ
SIDE VIEWÜST GÖRÜNÜŞ
TOP VIEWİZOMETRİK ÖN GÖRÜNÜŞ
ISOMETRIC FRONT VIEWDUVAR MONTAJ PLAKASI
WALL MOUNTING PLATEMAKARA MONTAJ YÖNÜ
HOSE REELS FIXING DIRECTIONSİZOMETRİK ARKA GÖRÜNÜŞ
ISOMETRIC BACK VIEW

KAPASİTE / CAPACITY : 3/4" 20m Hortum / 3/4" 20m Hose

ÇİZEN / DRW. BY	Yasin DEMİR	YÜZEY FINISH	—	ÖLÇEK / SCALE	BİRİM / UNIT	TR EN	 Fetaş Yangın Ekipmanları Makina Metal Sanayi ve Ticaret A.Ş. Dağyaka Mah. 2035. Cad. Küme Evleri No: 51. Karamankazan 06980 Ankara - TÜRKİYE Tel: +90. 444 96 69 info@fetas.com www.fetas.com	
KONT. / CONT. BY	Emre YİĞİTTEKİN	MALZEME MATERIAL	—	1 : 15				
ONAY / APP. BY	Cihan TUNA	AĞIRLIK WEIGHT	—	1 / 1	mm	cm		inch
TARİH / DATE	03.09.2025	SAYFA PAGE	1 / 1	A4				
ÇİZİM KODU DRAWING CODE	F 2192 M							

-Tüm hakları saklıdır. Bu belge, FETAŞ'tan yazılı izin alınmaksızın hiçbir şekilde üçüncü şahıslara çoğaltılamaz veya iletilemez. Ürünlerimizi geliştirmeye yönelik sürekli araştırma ve geliştirme çalışmaları yürütülmekte olup, bu nedenle önceden bildirimde bulunmaksızın herhangi bir teknik özelliği değiştirme hakkımız saklıdır.

-All rights reserved. Reproduction or issue to third parties in any form whatever is not permitted without written authority from FETAŞ. Continuous research and development is taking place to improve our products and therefore we reserve the right to change any specification without prior notice.